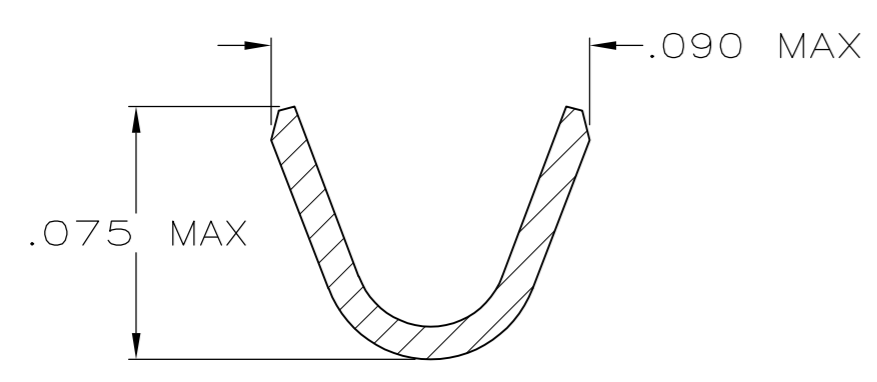
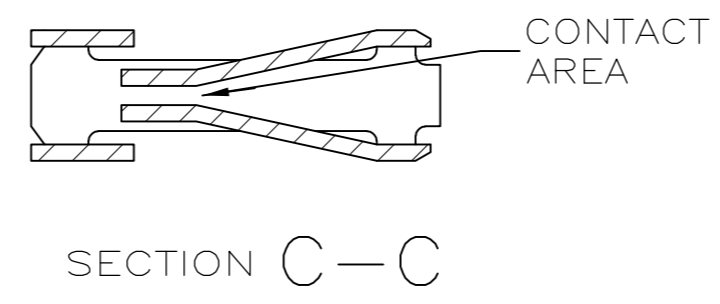
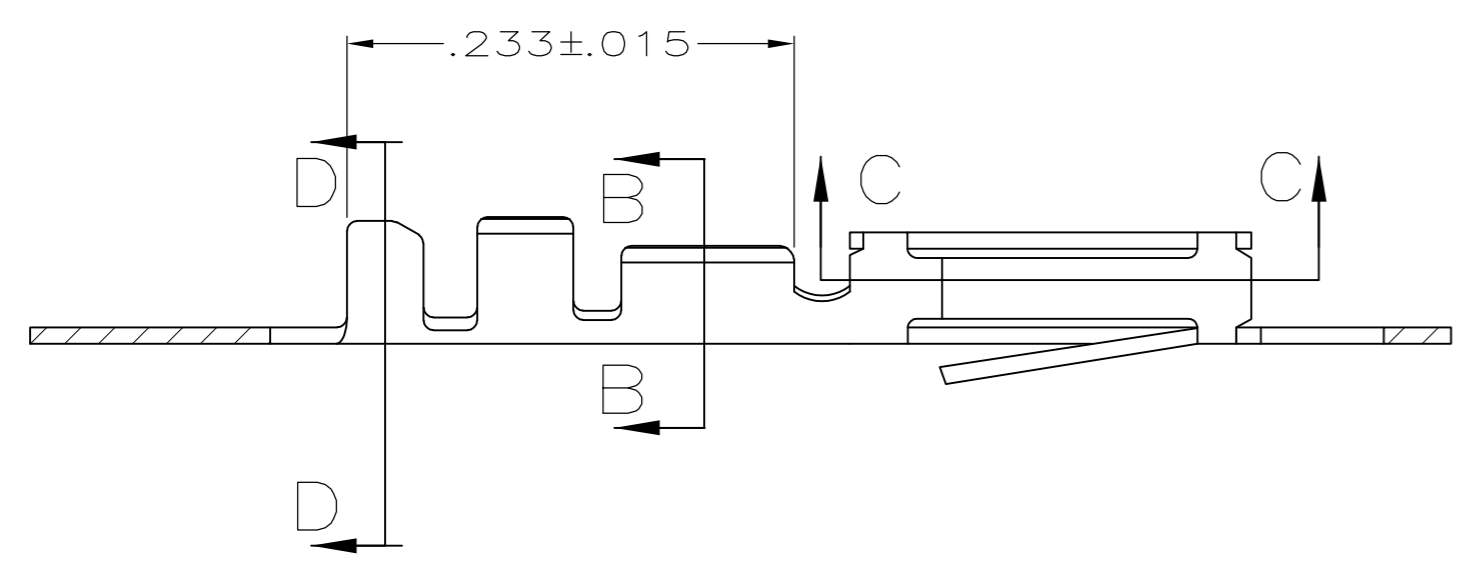
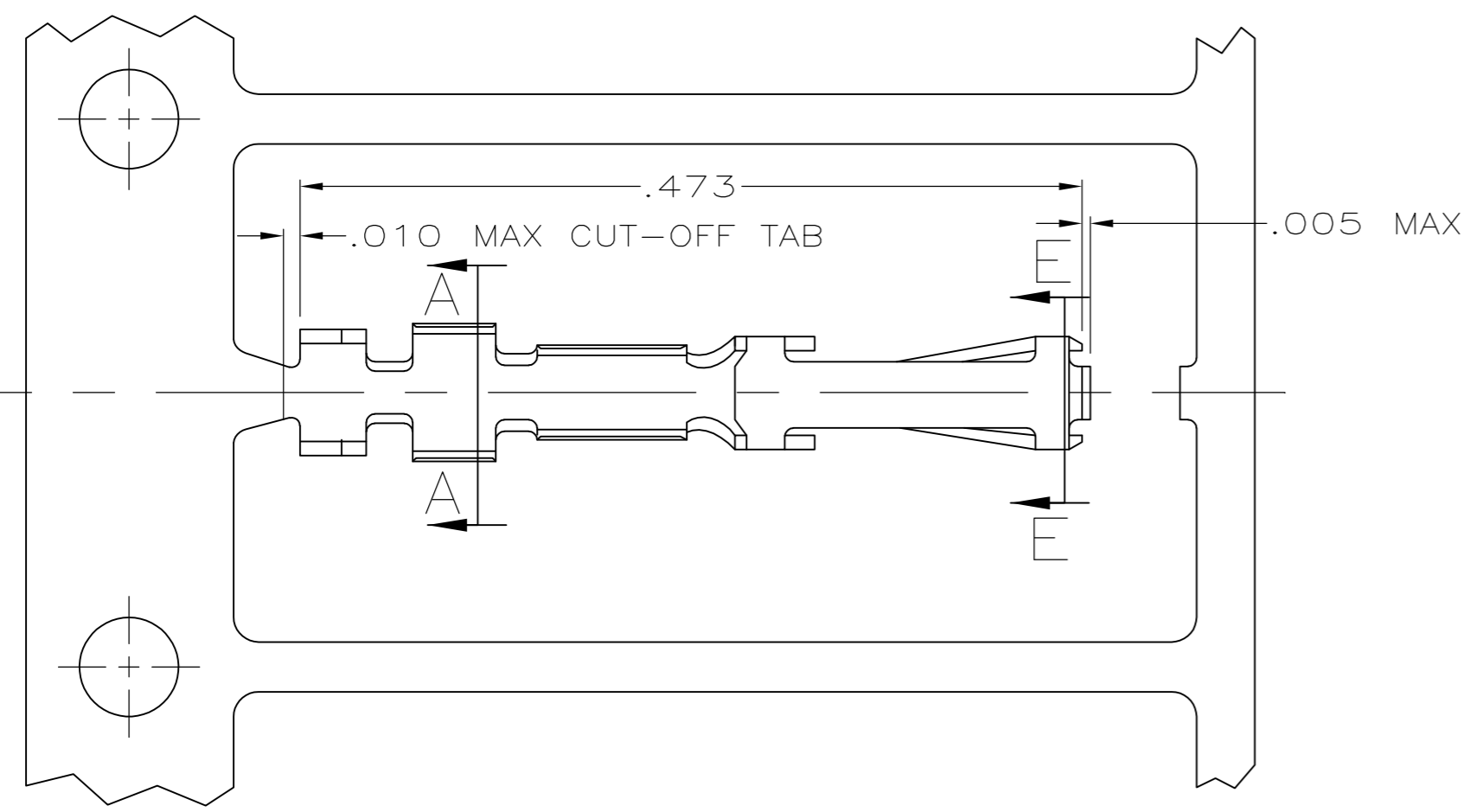
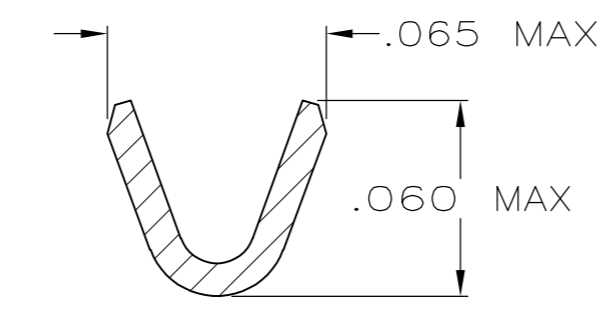


THIS DRAWING IS UNPUBLISHED. RELEASED FOR PUBLICATION  
 © COPYRIGHT BY TYCO ELECTRONICS CORPORATION. ALL RIGHTS RESERVED.

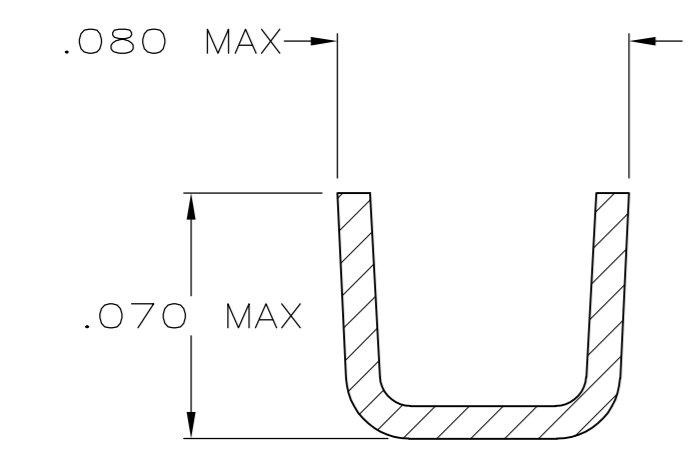
LOC	DIST	REVISIONS					
GP	00	P	LTR	DESCRIPTION	DATE	DWN	APVD
		N		REVISED PER ECO-09-001588	25JUN2009	CJV	CWR



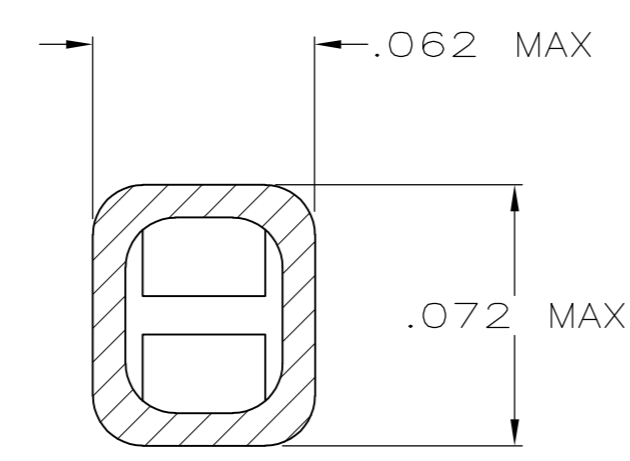
SECTION A-A  
SCALE 20:1



SECTION B-B  
SCALE 20:1



SECTION D-D  
SCALE 20:1



SECTION E-E  
SCALE 20:1

- ① FOR STANDARD APPLICATOR
- ② FOR MINI APPLICATOR
- ③ FINISH: GOLD FLASH ALL OVER, .000015 MIN THK GOLD ON LOCALIZED CONTACT PLATING AREA OVER .000050 MIN THK NICKEL ON ENTIRE CONTACT.  
-OR-  
.000050 MIN THK NICKEL UNDERPLATE ON ENTIRE CONTACT, GOLD FLASH OVER PALLADIUM-NICKEL, .000015 MIN TOTAL THK ON LOCALIZED CONTACT PLATING AREA AND GOLD FLASH OVER REMAINDER OF CONTACT.
- ④ FINISH: GOLD FLASH ALL OVER, .000030 MIN THK GOLD ON LOCALIZED CONTACT PLATING AREA OVER .000050 MIN THK NICKEL ON ENTIRE CONTACT.
- ⑤ FINISH: GOLD FLASH ALL OVER, .000050 MIN THK GOLD ON LOCALIZED CONTACT PLATING AREA OVER .000050 MIN THK NICKEL ON ENTIRE CONTACT.
- ⑥ FINISH: .000100-.000200 THK BRIGHT TIN-LEAD OVER .000050 MIN THK NICKEL ON ENTIRE CONTACT.
- 7. FOR 26-32 AWG WIRE WITH AN INSULATION RANGE OF .025-.048 DIA.
- ⑧ OBSOLETE PART NUMBER

	LOOSE PIECE	⑤	⑧	1-88017-9
	LOOSE PIECE	⑥	⑧	1-88017-7
		②	⑧	1-88017-6
		①	⑧	1-88017-5
		②	⑤	1-88017-4
		①	⑤	1-88017-2
		①	④	1-88017-1
		①	③	1-88017-0
	LOOSE PIECE	⑤	⑧	88017-8
SUPSD BY 88017-6	LOOSE PIECE	④		88017-7
	LOOSE PIECE	③		88017-6
SUPSD BY 88017-2		②	⑤	88017-4
		②	④	⑧ 88017-3
		②	③	88017-2
	REMARKS		FINISH	PART NO.

THIS DRAWING IS A CONTROLLED DOCUMENT.		DWN B. MOYER 6-8-89	Tyco Electronics Corporation Harrisburg, PA 17105-3608	
DIMENSIONS: INCHES		CHK D.L. ROCKER 6-8-89	NAME	
TOLERANCES UNLESS OTHERWISE SPECIFIED:		APVD -	PRODUCT SPEC	
0 PLC ± -		108-9024	STANDARD PRESSURE CONTACT, RCPT., ROUND WIRE, .100 CENTERLINE, FFC	
1 PLC ± -		APPLICATION SPEC	SIZE A2	CAGE CODE 00779
2 PLC ± -		114-16003	DRAWING NO C=88017	RESTRICTED TO -
3 PLC ± .005		WEIGHT -	SCALE 10:1	SHEET 1 of 1
4 PLC ± -		CUSTOMER DRAWING	REV N	
ANGLES ± -				
FINISH SEE TABLE				